

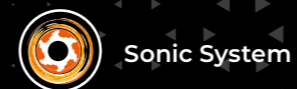
## FORESTRY MULCHERS FOR EXCAVATORS

# BL3/EX/VT - BL3/EX/SONIC

### The mulcher with Bite Limiter technology for large and midsize excavators

BL3/EX for 14-20 ton excavators mulches trees with a max. diameter of 20 cm and is available in two working widths: 134 cm and 158 cm. The rotor features Bite Limiter technology. Steel limiter rings limit the depth of cut, which reduces power demand and guarantees speed and exceptional performance.

The heat-treated forged-steel BL blades are durable and can be sharpened, lowering operating costs. BL3/EX has a 110/60 cc VT (Variable Torque) motor for noticeably better performance, increased torque when needed, and minimal risk of rotor stalling.



Sonic System



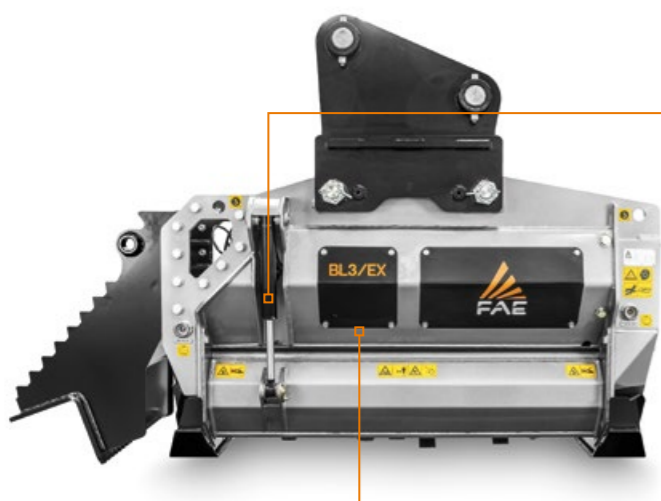
120-210 L/min



Ø 20 cm max



14-20 t



**Hydraulic front hood**  
for optimal mulching, reduces the ejection of mulched material (optional)

**Spike PRO counter-blade**  
the distribution of the new Spike PRO counter-blades inside the shredding chamber guarantees a better finish of the mulched material



**Hydraulic piston motor**  
Variable Torque (VT)



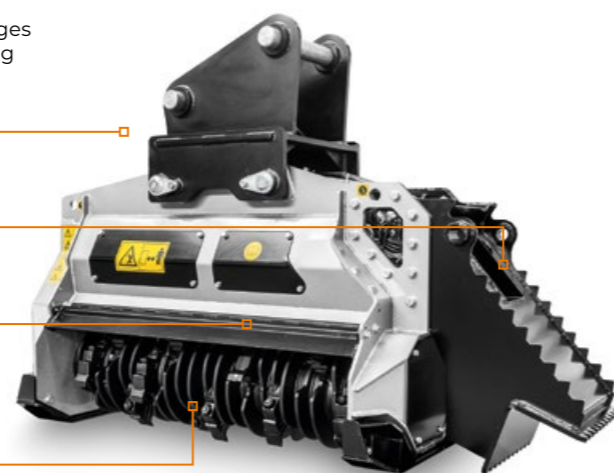
**Sonic System**  
is a new automatic intelligent system that manages the hydraulic transmission. It makes the mulching machine to perform at the maximum capacity in all conditions (BL3/EX/SONIC)

**Thumb bracket and hydraulic thumb**  
useful in moving material to be mulched (optional)

**Adjustable material deflector**  
controls mulched material output for greater safety



**Bite Limiter rotor**  
special steel limiter rings control the depth of cut



#### STANDARD EQUIPMENT

110/60cc variable torque hydraulic piston motor (120-210 L/min) (BL3/EX/VT)	Bulkhead for hydraulic connections
110cc variable torque hydraulic piston motor (120-210 L/min) (BL3/EX/SONIC)	Hydraulic front hood
Flow control system valve	Dedicated rear hood (deflector)
Diverter valve	Adjustable skids
Safety and anticavitation valve	Spike Pro counter-blade
Enclosed / anti dust machine body	Rotor Bite Limiter
Motor enclosed in the frame	Sonic System (BL3/EX/SONIC)
Timing belt transmission	

#### OPTIONS

Customized setting hydraulic motor (BL3/EX/VT)	Hydraulic thumb
Hydraulic front hood for excavator AUX line (BL3/EX/VT)	Customized attachment bracket with pins
Front fixed thumb bracked	

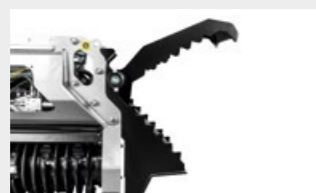
MODEL	BL3/EX/VT 125	BL3/EX/VT 150	BL3/EX/SONIC 125	BL3/EX/SONIC 150
<b>Flow rate</b> (L/min)	120-210	120-210	120-210	120-210
<b>Pressure</b> (bar)	180-350	180-350	180-350	180-350
<b>Excavator weight</b> (t)	14-20	14-20	14-20	14-20
<b>Working width</b> (mm)	1342	1582	1342	1582
<b>Weight</b> (kg)	1295	1370	1295	1370
<b>Rotor diameter</b> (mm)	440	440	440	440
<b>Max shredding diameter</b> (mm)	200	200	200	200
<b>No. blades</b> type BL + C/3/SS	20+2	24+2	20+2	24+2

Data refers to machine as standard. The technical data in this catalogue may be altered without prior notice.

#### MAIN OPTIONS



**Customized attachment bracket**



**Thumb bracket and hydraulic thumb**  
useful in moving material to be mulched

#### ROTOR TYPE BL



**BL BLADE**  
(standard)



**C/3/SS**  
(side scraper)