

MULTITASKS FOR SPECIAL VEHICLES

SFM/PM

Hydraulic multitask stone crusher, forestry tiller and mulcher.

Extremely sturdy and versatile - the multi-purpose SFM/PM head works with special vehicles up to 450 hp. It crushes stones and shreds logs or stumps up to 30 cm deep.



300-450 hp



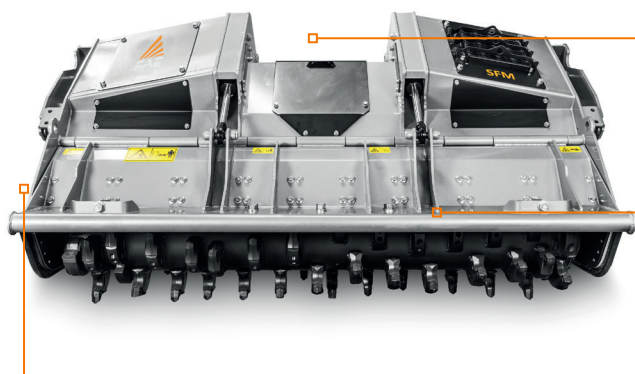
Ø 20 cm max (Stones)

Ø 35 cm max (Trees)

Ø 45 cm max (Stump)



Depth 30 cm



Customized attachment plate (optional)

Hydraulically controlled hood
to adjust final product

Dual transmission with side gearbox
converts RPM to Power

STANDARD EQUIPMENT

Considering the various available options and high level of customization, the final configuration will be specified upon request.

MODEL	SFM/PM 225	SFM/PM 250
Engine (hp)	300-450	300-450
Flow rate (L/min)	350-390	350-390
Pressure (bar)	350-400	350-400
Working width (mm)	2310	2550
Total width (mm)	2620	2860
Weight (kg)	4100	4400
Rotor diameter (mm)	670	670
Max working depth (mm)	300	300
Max shredding diameter		
Stones (mm)	200	200
Trees (mm)	350	350
Stump (mm)	450	450
No. teeth type F/3+STC/3/FP	58+6	62+6

Data refers to machine as standard. The technical data in this catalogue may be altered without prior notice.



TOOTH F/3
(standard)



TOOTH STC/3/FP
(side scraper)