

UNIVERSAL HYDRAULIC OIL COOLER

MULCH COOL

Universal hydraulic oil cooler for skid steers.

The FAE Hydraulic Roof Mounted Oil Cooler with the heavy-duty protective housing was designed to minimize a chance of equipment overheating. Once installed on your machine, this cooler can drastically increase your productivity in many applications, particularly in hot environments.

It features: a reversible fan to avoid material build-up or clogging; gradual start-up speed to minimize stress on the electric system and maintain consistent cooling temperature; the electrical controllers start the fans at 60°C and turns them off when oil temperature reaches 50 °C.



49-180 L/min



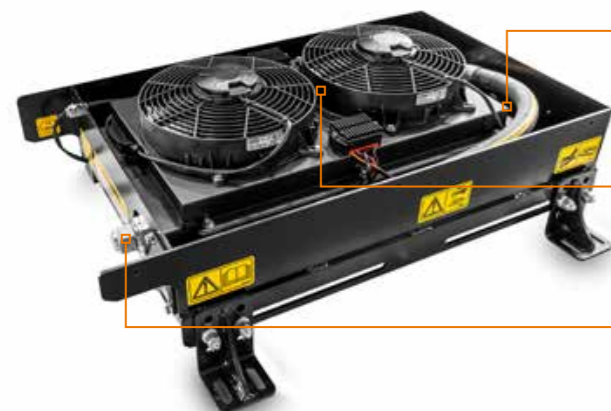
Ø 28 cm fan diameter



Pressure relief check valve
built-in to allow the oil to bypass the cooler if the pressure builds above 4,5 bar

2 reversible fans
to avoid material build-up or clogging

Accessible hydraulic connections



4 mounting brackets
for universal mounting

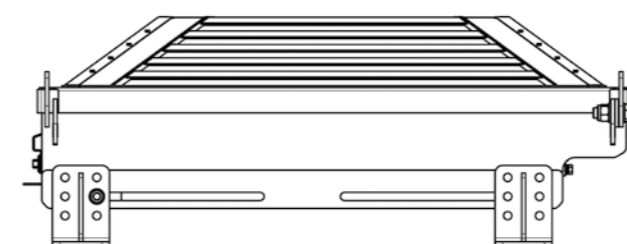
MODEL

MULCH COOL

Height (mm)	360
Length (mm)	956
Width (mm)	712
Min flow rate (L/min)	49
Max flow rate (L/min)	180
Weight (kg)	88
Number of fans	2
Fans' diameter (mm)	280
Max cooling capacity (kW)	13

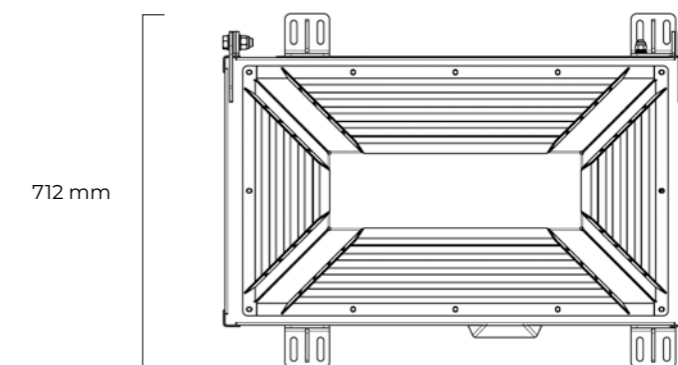
Data refers to machine as standard. The technical data in this catalog may be altered without prior notice. Mounting hardware and external plumbing not included.

DIMENSIONS



360 mm

956 mm



712 mm

ADVANTAGES



Colder hydraulic oil working temperatures



Tiltable lid



Universal mounting



Easy access to cleaning tray